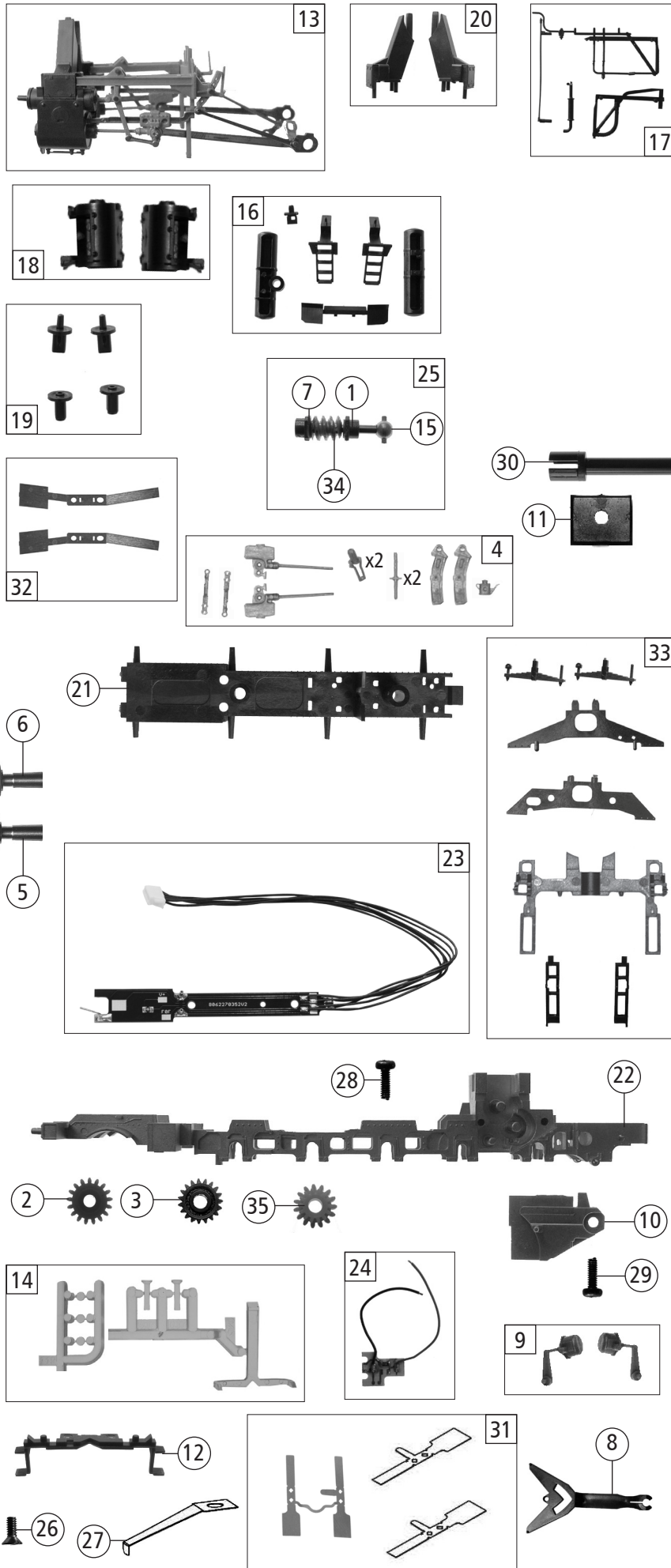
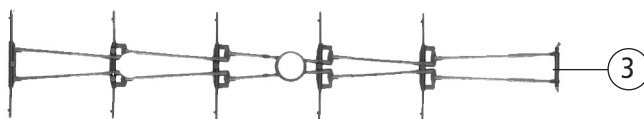
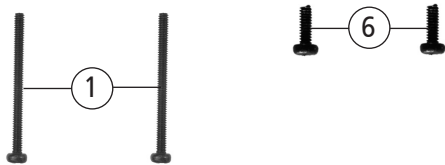
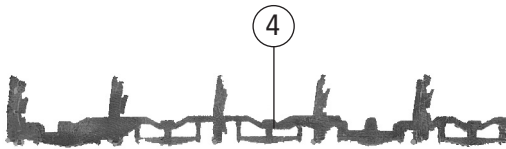
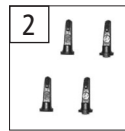
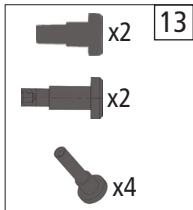
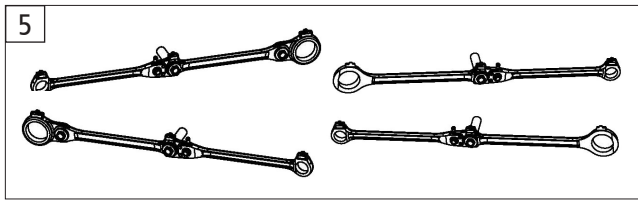
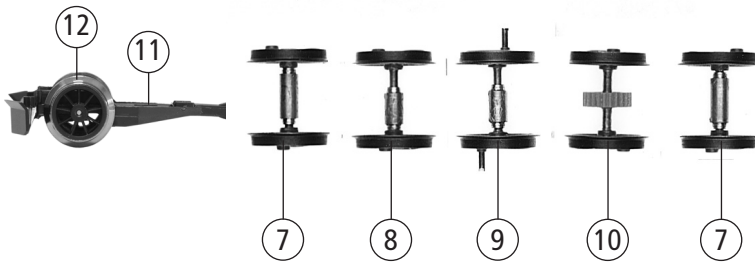


| Pos. Nr. Pos.no. | Beschreibung Description | Art.-Nr. Art.no. | Preisgruppe Price bracket |
|---------------------|---|---------------------|------------------------------|
| 7100049 | CFL RH 56 | = | |
| 7110049 | | = | 🔊 |
| 7120049 | | ~ | 🔊 |
| 1 | Kessel kpl. Betr.Nr. 5605 Boiler ass. compl. Loco no. 5605 | 154270 | 39 |
| 2 | GF-Schraube M2x5 mm GF-Screw | 114966 | 3 |
| 3 | Lichtabdeckung Light cover | 122502 | 3 |
| 4 | Kesselstütze kpl. mit Seuthekontakt Boiler-supports | 124975 | 8 |
| 5 | TS - Fenster Part sett window | 124977 | 8 |
| 6 | Ventil-Leitung+Griffstange Valve line+handrails | 124988 | 8 |
| 7 | TS - Dachaufsatz, Werkzeugkasten Part set | 124996 | 7 |
| 8 | Windleitblech links + rechts Wind guide plate left + right | 124999 | 9 |
| 9 | TS - Sandfallrohre, Ventile Part set sand gutter-pipes, valves | 125001 | 9 |
| 10 | TS - Rohre, Bremsschlauch, Bel. Part set pipes, brake hose | 125002 | 9 |
| 11 | TS-Kessel Part set-boiler | 147482 | 8 |
| 12 | TS - Rauchkammerstufe, Stütze Part set smoke chamber stage, support | 125005 | 7 |
| 13 | Kesselgewicht Boiler weight | 125011 | 8 |
| 14 | TS - Leitungen Part set lines | 125012 | 9 |
| 15 | Führerstandsablass Drivers cab drainage | 125014 | 8 |
| 16 | Umlaufblech Running board | 154269 | 16 |
| 17 | Drahtfeder Wire spring | 125034 | 4 |
| 18 | Führerhaus kpl. Drivers cab ass. | 154271 | 18 |
| 19 | TS - Führerhausgriffstangen Part set cab handrail | 138582 | 10 |
| 20 | Sand- + Dampfdomdeckel Sand- + steam dome covers | 125037 | 6 |
| 21 | Kesselboden Boiler bottom | 147481 | 12 |
| 22 | Lokführer seitlich Loco driver at the side | 89724 | 6 |
| 23 | Kupplungsauflage Coupling block | 100277 | 4 |
| 24 | Heizer/E-Lokführer Heater/E-loco driver | 89725 | 6 |
| 25 | Rauchfang UT+Luftpumpen UT Chimney+air pumps | 147477 | 8 |
| 26 | Generatorleitung Generator connection | 147480 | 7 |
| 27 | Führerhausleiter u. Stoßdämpfer Drivers cab ladder a. Shock absorber | 124578 | 5 |
| Sound | | | |
| 28 | Lautsprecher Loudspeaker | 129524 | 13 |
| 29 | GF-Schraube M1,6x4 mm GF-screw | 114850 | 3 |
| 30 | Steckerverbindung Plug connector | 141597 | 11 |
| 31 | Lautsprecherplatine Printed circuit for loudspeaker | 133613 | 11 |

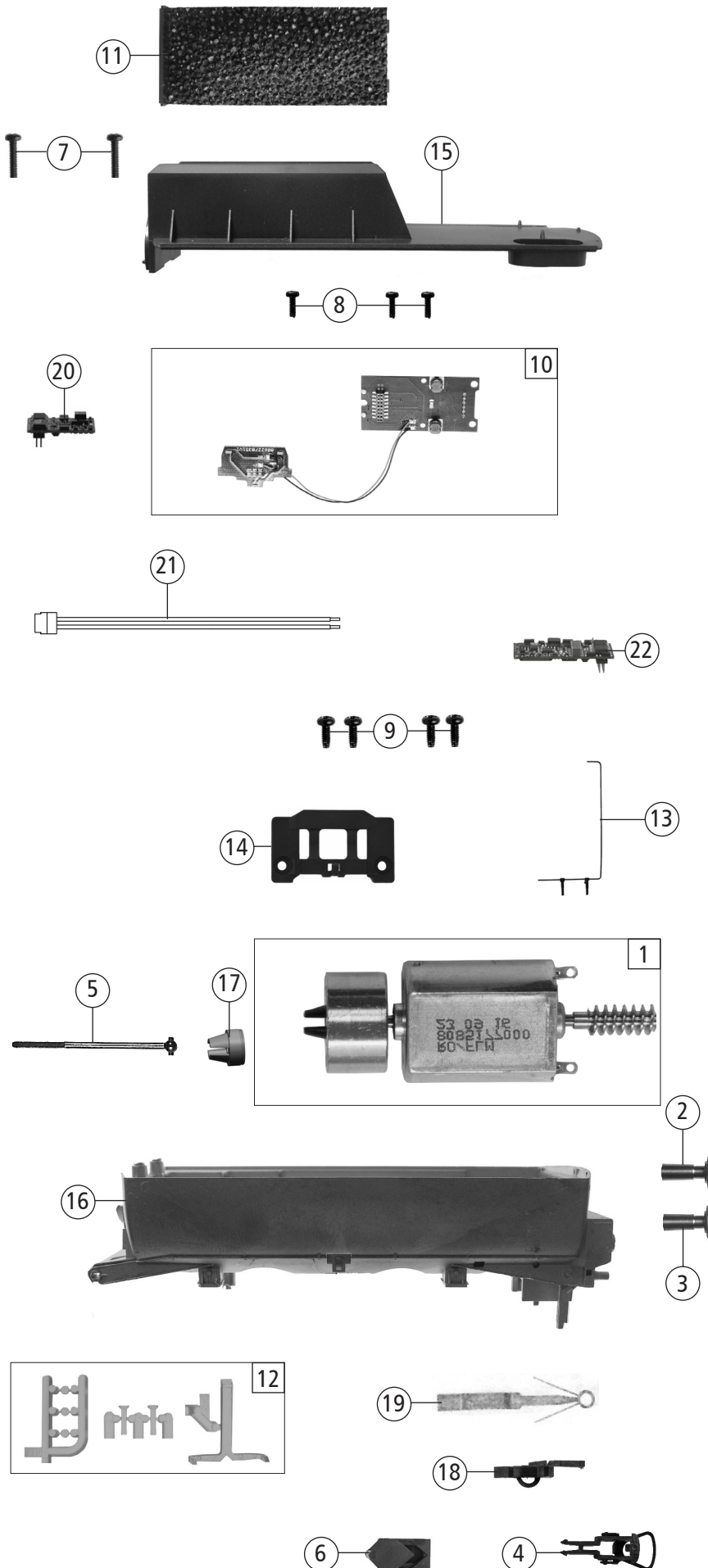
Änderungen in Konstruktion und Ausführung vorbehalten
We reserve the right to change the construction and specification



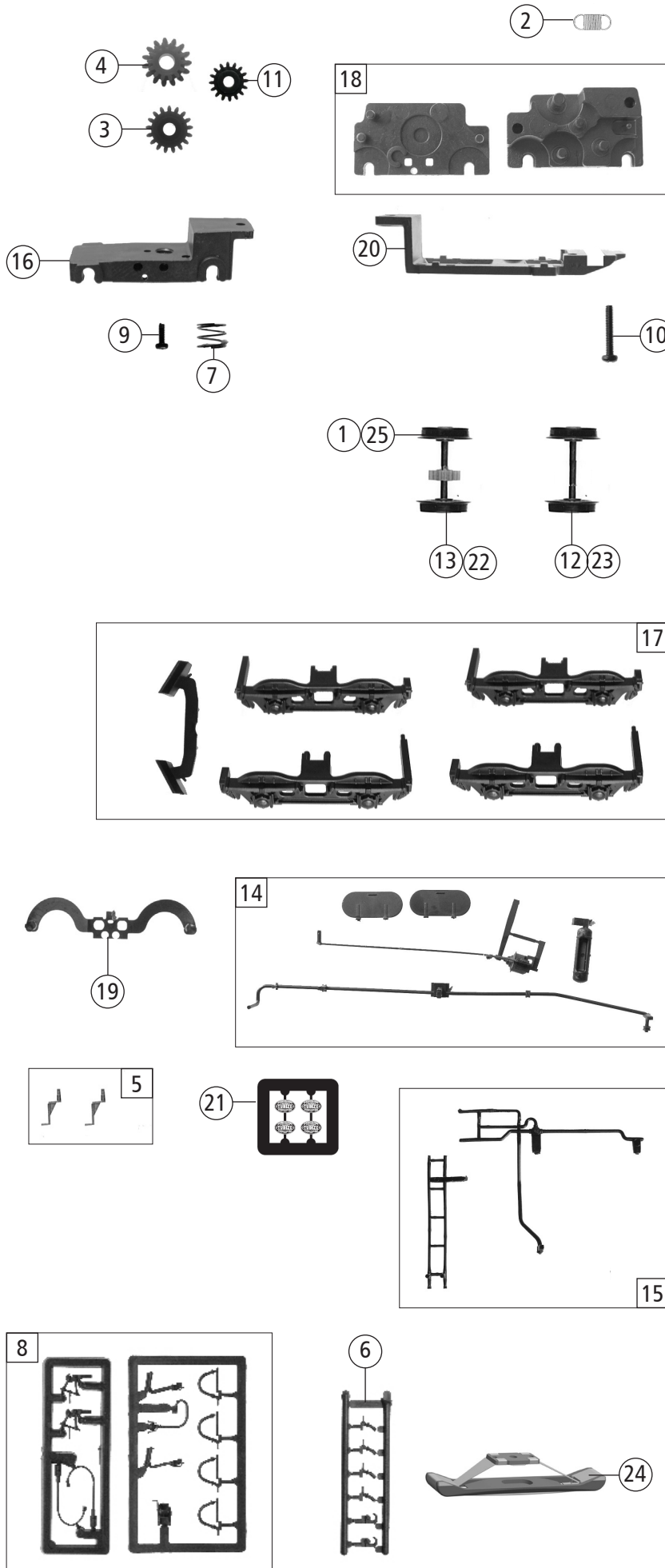
| Pos. Nr. Pos.no. | Beschreibung Description | Art.-Nr. Art.no. | Preisgruppe Price bracket |
|---------------------|---|---------------------|------------------------------|
| 7100049 | CFL RH 56 | = | |
| 7110049 | | = | 🔊 |
| 7120049 | | ~ | 🔊 |
| 1 | Beilagscheibe 2.1 x 4 / 0.2 mm Washer | 86108 | 3 |
| 2 | Zahnrad Z=17 Gear Z=17 | 86409 | 5 |
| 3 | Zahnrad Z=19 / M0,4 Gear Z=19 / M0,4 | 86417 | 3 |
| 4 | TS - Steuerung Part set - Steering ass. | 146567 | 12 |
| 5 | Puffer rund flach Buffer round flat | 88556 | 5 |
| 6 | Puffer rund gewölbt Buffer round vaulted | 88557 | 5 |
| 7 | Lager für Schneckenachse Bearing for worm axle | 89749 | 6 |
| 8 | Lok-Tender Kupplung Loco-tender coupling | 100296 | 8 |
| 9 | TS-Bremszylinder Part set brake cylinder | 100684 | 9 |
| 10 | Lokgetriebedeckel Loco gear cover | 100290 | 12 |
| 11 | Schneckenkammerdeckel Worm cover | 111987 | 4 |
| 12 | Loktreppe Loco step | 125083 | 4 |
| 13 | Steuerung kpl. Steering ass. | 147474 | 35 |
| 14 | TS - Lichtleiter Part set light transmission | 124986 | 8 |
| 15 | Kardankugel Cardan ball | 109614 | 4 |
| 16 | TS - D-Kessel, Treppen, Pumpen Part set boiler, steps, pump | 125080 | 8 |
| 17 | TS - Leitungsgitter + Steckteile Part set line lattice... | 125082 | 7 |
| 18 | Zylinderblock links + rechts Cylinder block left + right | 146298 | 12 |
| 19 | Schieberkastendeckel vo. + hi. Slidegate valve box cover in front + rear | 125000 | 6 |
| 20 | Zylinderoberteil links+rechts Cylinder upper section links+rights | 125015 | 7 |
| 21 | Platinenabdeckung schwarz Plate cover black | 125097 | 8 |
| 22 | Lok Grundrahmen Loco base frame | 154266 | 16 |
| 23 | Lokplatine kpl. Printed circuit ass. | 151222 | 20 |
| 24 | Stirn-LED-Platine kpl. Front -LED-printed circuit compl. | 125020 | 12 |
| 25 | Schneckensatz kpl. Worm set ass. | 125022 | 13 |
| 26 | SK-Schraube M1,6x3 mm SK-Screw | 125023 | 3 |
| 27 | Vorlaufgestellfeder Spring | 125024 | 3 |
| 28 | GF-Schraube M1,6x4 mm GF-Screw | 114850 | 3 |
| 29 | GF-Schraube M2x5 mm GF-Screw | 114966 | 3 |
| 30 | Kardanhülse Cardan bearing | 124974 | 5 |
| 31 | Radkontakt für Steuerung Wheel contact for Steering | 128920 | 5 |
| 32 | Radkontakt links u. rechts Wheel contact left a. right | 124976 | 6 |
| 33 | TS - Stützbleche + Federpaket Part set support flanges + spring rod | 125704 | 8 |
| 34 | Schnecke Wormgear | 86720 | 6 |
| 35 | Schneckenrad Z=15/14 Worm gear wheel | 86490 | 5 |



| Pos. Nr. Pos.no. | Beschreibung Description | Art.-Nr. Art.no. | Preisgruppe Price bracket |
|---------------------|---|---------------------|------------------------------|
| 7100049 | CFL RH 56 | | |
| 7110049 | | | |
| 7120049 | | | |
| 1 | GF - Schraube M2x25 mm GF - Screw | 115533 | 3 |
| 2 | TS-Stoppeln Part set stubble | 138069 | 5 |
| 3 | Bremsgestänge Brake leverage | 100292 | 3 |
| 4 | Bremsrahmen Brake frame | 100308 | 12 |
| 5 | TS-Kuppelstangen Part set drawbar | 136819 | 16 |
| 6 | GF-Schraube M2x4 mm GF-Screw | 114877 | 3 |
| 7 | Radsatz o.Zahnrad o. Haftring Wheel set w/o gearwh. w/o tr. tyre | 135481 | 12 |
| 8 | Radsatz o.Zahnrad o. Haftring Wheel set w/o gearwh. w/o tr. tyre | 135482 | 12 |
| 9 | Radsatz o.Zahnrad o. Haftring Wheel set w/o gearwh. w/o tr. tyre | 135483 | 12 |
| 10 | Radsatz m.Zahnrad o. Haftring Wheel set w. gearwh. w/o tr. tyre | 135484 | 12 |
| 11 | Vorlaufgestell Pilot frame | 135479 | 8 |
| 12 | Vorläufradsatz Wheelset | 135480 | 9 |
| 13 | Steuerungsnieten kurz+lang Steering ass. rivets short+long | 113252 | 8 |
| 14 | Niet kurz 2,05 mm Rivet short | 146795 | 3 |
| 15 | TS - Gegenkurbel Part set - Counterweight | 146620 | 8 |
| 16 | Niet langer ansatz 3,2 mm Rivet long | 117446 | 3 |
| 17 | Drahtstift Tack | 110641 | 4 |



| Pos. Nr. Pos.no. | Beschreibung Description | Art.-Nr. Art.no. | Preisgruppe Price bracket |
|---------------------|--|---------------------|------------------------------|
| 7100049 | CFL RH 56 | == | |
| 7110049 | | == | 🔊 |
| 7120049 | | ~ | 🔊 |
| 1 | Motor Motor | 151230 | 28 |
| 2 | Puffer rund flach - Metall Buffer round flat - metal | 88556 | 5 |
| 3 | Puffer rund gewölbt - Metall Buffer round vaulted - metal | 88557 | 5 |
| 4 | Standardkupplung komplett Standard coupling | 89246 | 6 |
| 5 | Kardanwelle Cardan shaft | 109238 | 5 |
| 6 | Tenderkuppl. Tender coupling | 111829 | 6 |
| 7 | GF-Schraube M1,6x6 mm GF-Screw | 114836 | 3 |
| 8 | GF-Schraube M1,6x4 mm GF-Screw | 114850 | 3 |
| 9 | GF-Schraube M2x4 mm GF-Screw | 114877 | 3 |
| 10 | Tenderplatine Tender printed circuit | 152019 | 22 |
| 11 | Kohle Coal | 124978 | 7 |
| 12 | TS - Lichtleiter Part set light transmission bar | 124986 | 8 |
| 13 | Griffstange Tender Handrail tender | 124987 | 8 |
| 14 | Motorhalter Motor holder | 125010 | 6 |
| 15 | Kohlekasten lackiert Coal box coated | 154267 | 10 |
| 16 | Wannenkessel Tub boiler | 154268 | 17 |
| 17 | Kardanschale Cardan bearing | 87129 | 4 |
| 18 | Kurzkupplung - Vorentkupplung Coupling short | 115550 | 6 |
| 19 | Kupplungskammer Clutch chamber | 138578 | 5 |
| 20 | Brückenstecker PLUX-16 Jumper | 130528 | 18 |
| 21 | Steckverbindung Plug-in connection | 151238 | 11 |
| Sound | | | |
| 22 | Sounddecoder Sound-decoder | 147377 | 39 |



| Pos. Nr. Pos.no. | Beschreibung Description | Art.-Nr. Art.no. | Preisgruppe Price bracket |
|--------------------------|--|---------------------|------------------------------|
| 7100049 | CFL RH 56 | = | |
| 7110049 | | = | 🔊 |
| 7120049 | | ~ | 🔊 |
| 1 | Haftringsatz 10Stk. 10,3-12,8mm Set w.traction tiers 10pieces 10,3-12,8mm | 40069 | --- |
| 2 | Zugfeder - 2,5x5,8x0,15 Spring | 86208 | 3 |
| 3 | Zahnrad Z=17 Gear Z=17 | 86409 | 5 |
| 4 | Schneckenzahnrad Z=15/14 Worm gear Z=15/14 | 86490 | 5 |
| 5 | Tritte Steps | 100307 | 8 |
| 6 | Attrappenrahmen Push in part set | 107808 | 4 |
| 7 | Druckfeder Spring | 108226 | 3 |
| 8 | Zubehörrahmensatz Part set | 108322 | 7 |
| 9 | GF-Schraube M1,6x4 mm GF-Screw | 114850 | 3 |
| 10 | GF-Schraube M1,6x10 mm GF-Screw | 114881 | 3 |
| 11 | Zahnrad Z=16 Gear Z=16 | 117617 | 3 |
| 12 | Tenderradsatz o.Haftring o.Zahnrad Wheelset without gear without traction tiers | 125089 | 10 |
| 13 | Tenderradsatz m.2 Haftringe m.Zahnrad Wheelset w. gear w-traction tiers | 125090 | 12 |
| 14 | TS - Tendersteckteile Part set tender | 124982 | 9 |
| 15 | TS - Leiter, Treppen Part set ladder, steps | 124983 | 8 |
| 16 | Laufgestell Tender Tender bogie | 124984 | 8 |
| 17 | TS - Blenden / Schienenräumer Part set - bogie / rail guard | 125084 | 8 |
| 18 | TS - Getriebe Tender Part set gear | 125008 | 13 |
| 19 | Tenderradkontakt Wheel contact tender | 125028 | 3 |
| 20 | Getriebeboden Gear bottom | 125009 | 9 |
| 21 | Tafelsatz Set of panels | 154272 | 12 |
| AC - Wechselstrom | | | |
| 22 | Radsatz m. Zahnr. m. Haftring Wheelset w. gearwh. w. tr. tyre | 125098 | 12 |
| 23 | Radsatz o. Zahnr. o. Haftring Wheelset w/o gearwh. w/o tr. tyre | 128929 | 10 |
| 24 | Schleifer Slider | 86031 | 14 |
| 25 | Haftringsatz 10Stk. 10,3-12,4mm Set w.traction tiers 10pieces 10,3-12,4mm | 40074 | --- |